

Recycling Bins

Mild steel



Finishes


Mild Steel Powder Coated
(inner bin Galvanize steel)

All Powder Coated

 RAL 6035
Pearl Green

 RAL 6003
Olive Green

 RAL 7001
Silver Grey

 RAL 7026
Granite Grey

 RAL 9005
Jet Black

LEVA

WxDxH
1000 x 430 x 930mm
(39.3" x 16.9" x 36.6" inch)

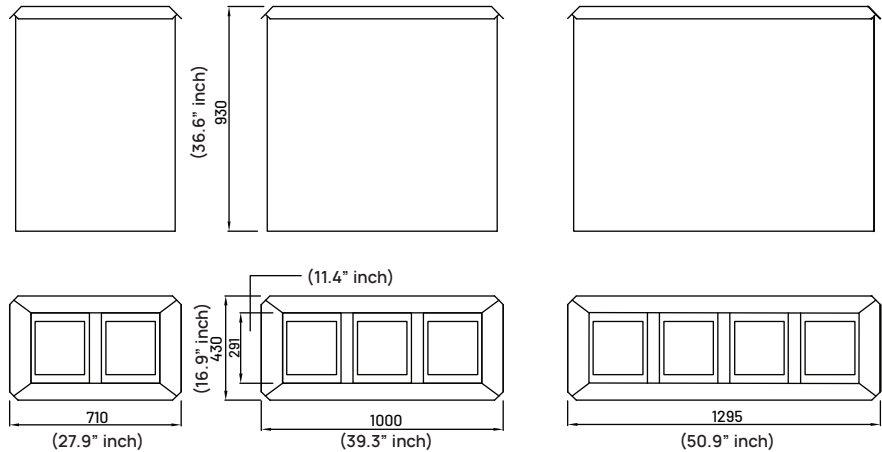
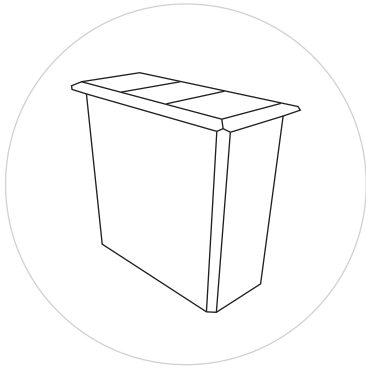
Volume
3 x 60 ltr = 180 ltr
(3 x 15.8 gal = 47.5 gallon)

Models

LR-M2

LR-M3

LR-M4



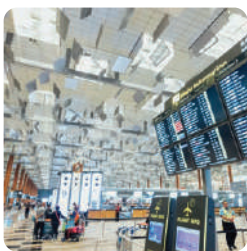
Constructions

- Casing 1.6 mm Mild steel Powder coated
- Inner Container Galvanized Steel
- Door With Gas spring Lock
- Freestanding or floor fastened
- Unit ships standard with floor fastening hardware

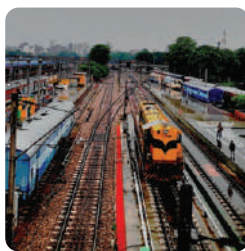
Available Options

- Ashtray
- Rain cover for open area
- Custom colors
- Custom corporate or Sponsor graphics
- Garbage bags
- Optional Label for compartments

Applications



AIRPORT



RAILWAY STATION



METRO STATION



FAIR GROUND



CORPORATE BUILDING



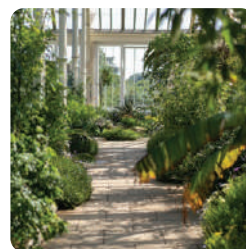
STADIUM



HOSPITAL



MALL



GARDEN



CITY STREET